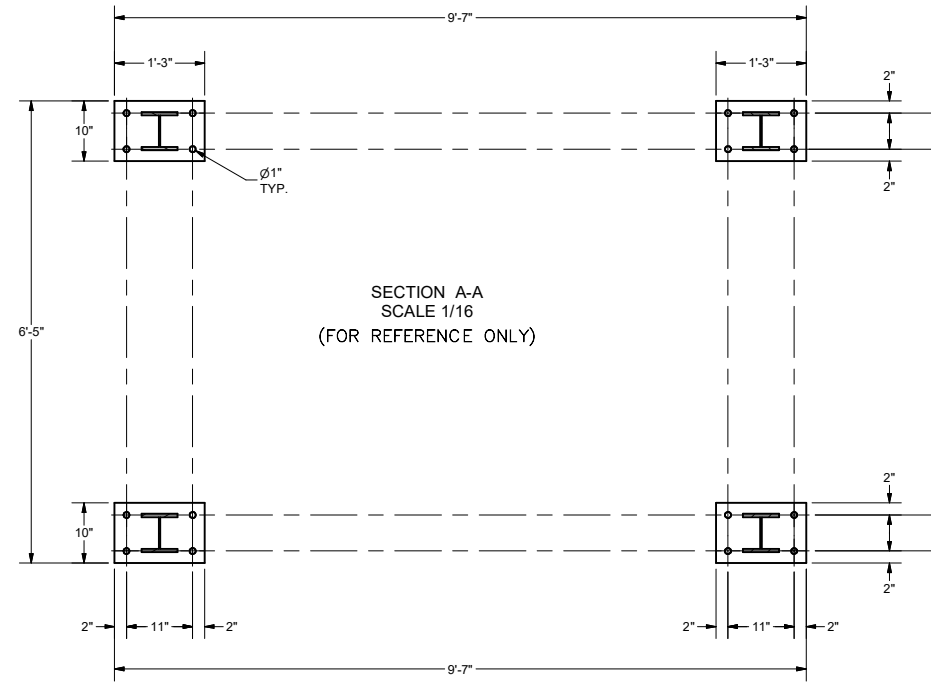
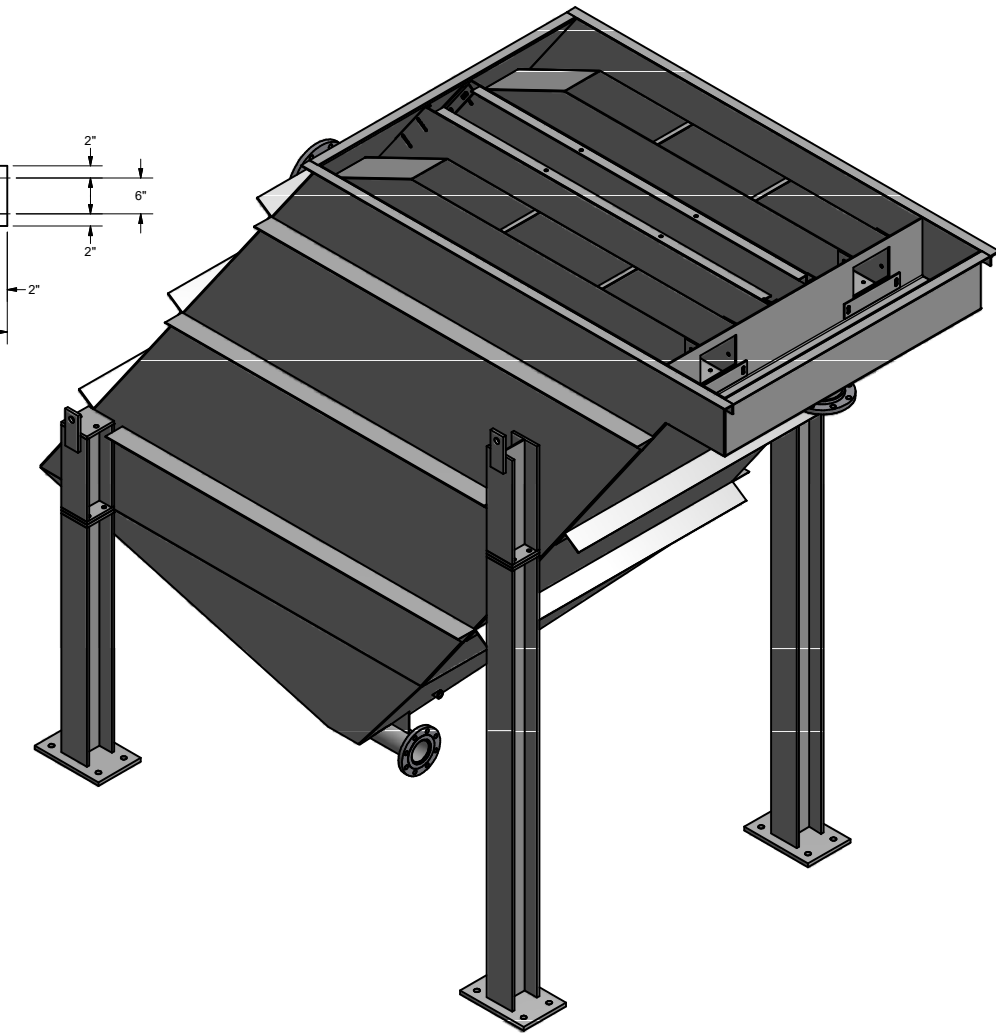


ASSEMBLY TOP VIEW  
SCALE 1/16



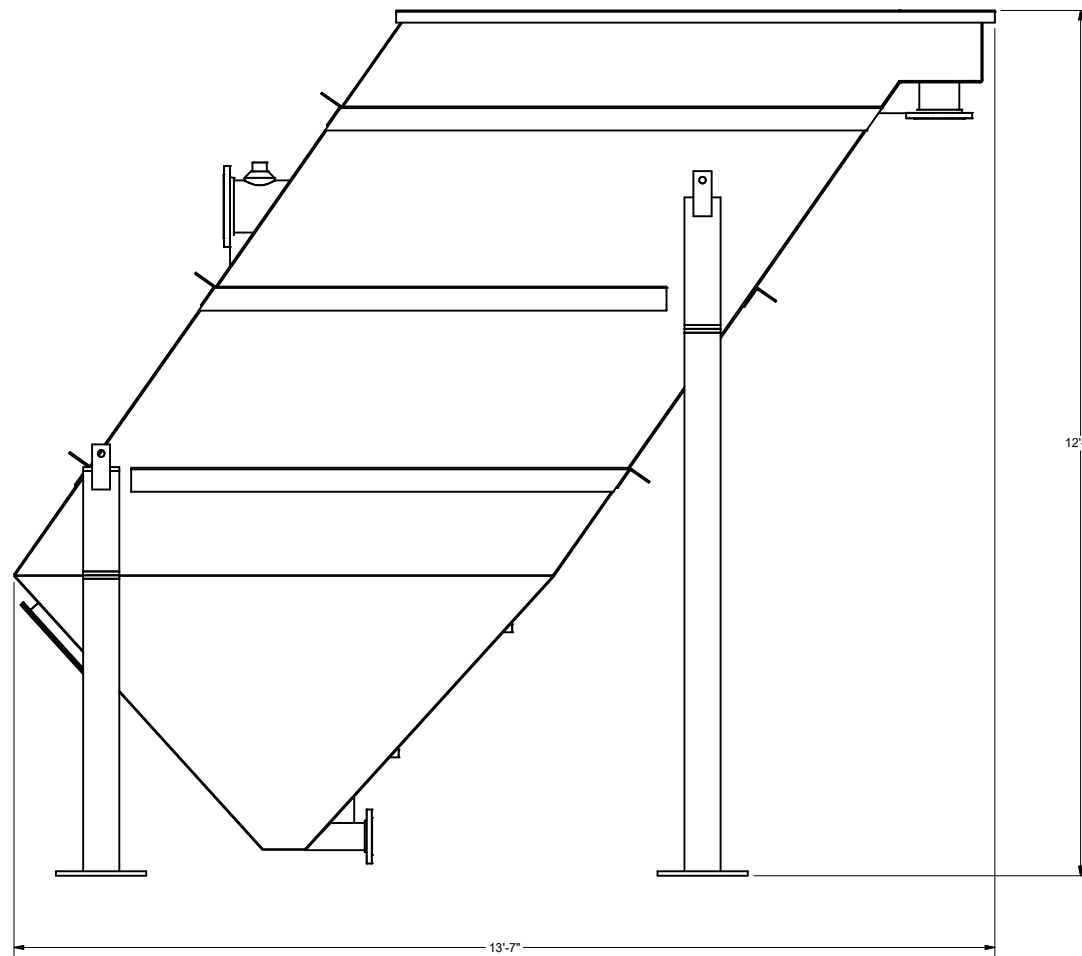
SECTION A-A  
SCALE 1/16  
(FOR REFERENCE ONLY)



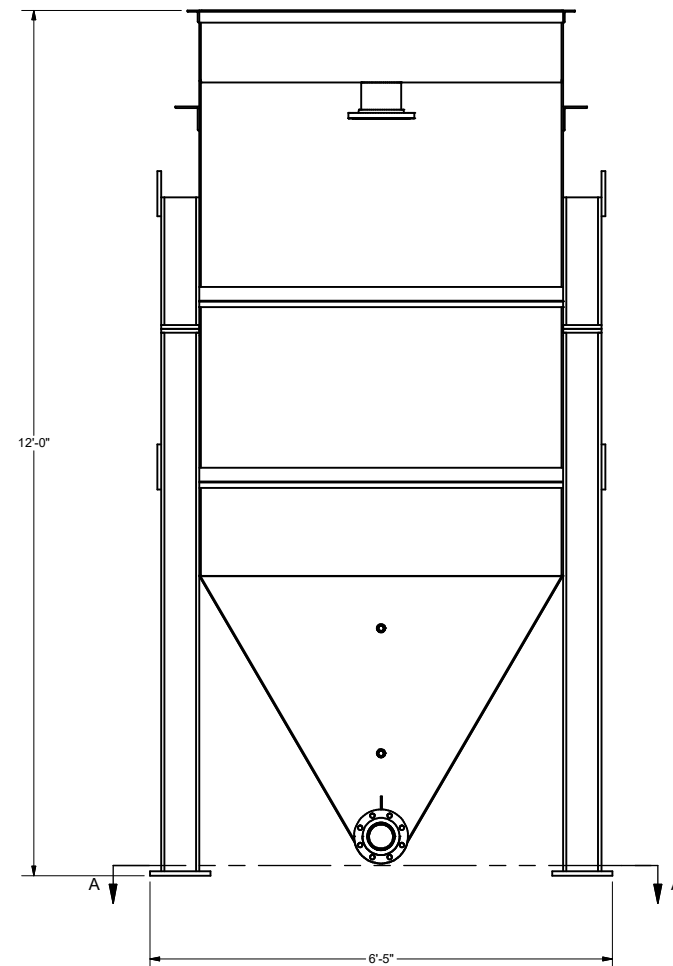
FOR REFERENCE ONLY

WEIGHT: #7,700 EMPTY – #25,200 FULL

GPM: 120 @ 600 mg/l



ASSEMBLY RIGHT VIEW  
SCALE 1/16



ASSEMBLY BACK VIEW  
SCALE 1/16

**JMS** **JMARK**  
SYSTEMS  
www.jmarksystems.com 3696 Northridge Dr NW, Suite 10  
Grand Rapids, MI 49544



TITLE: CLARIFIER MODEL JMS-600

DRAWN BY	DATE	DRAWING NAME:	REV
JTJ	8-26-22	JMS-600-WEB.idw	