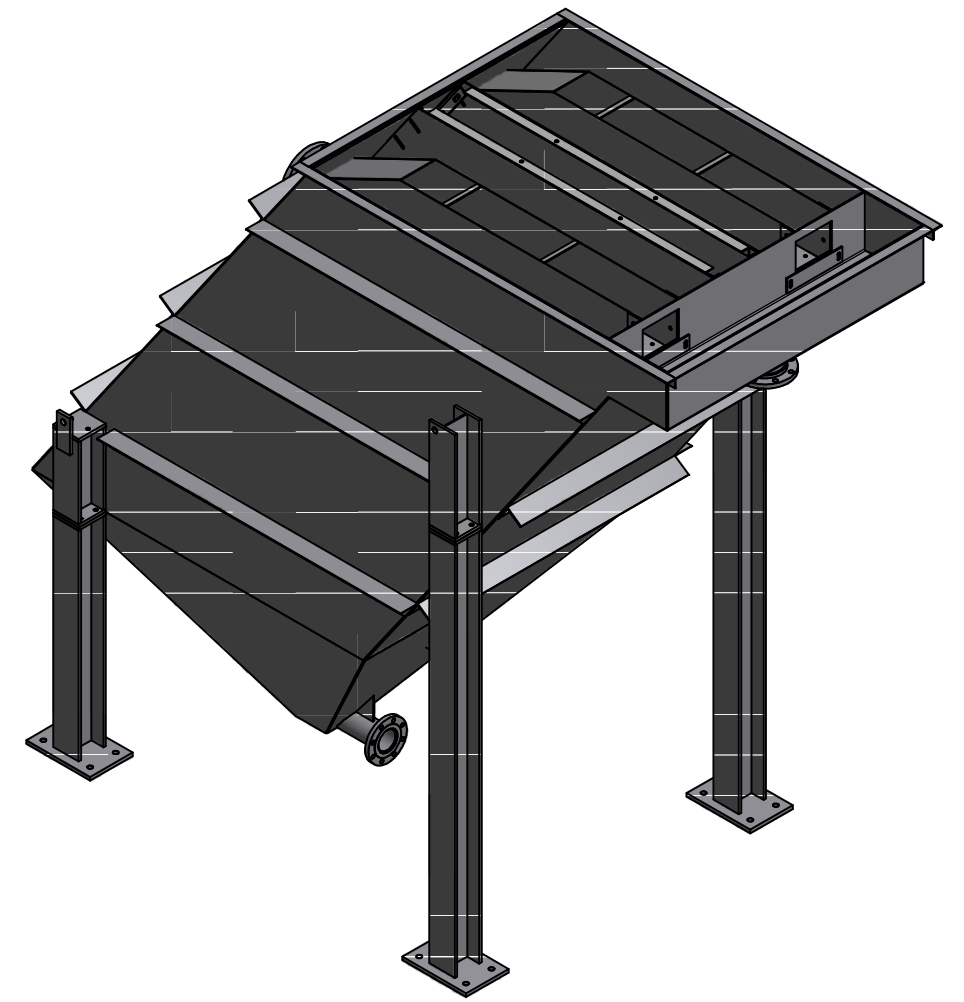
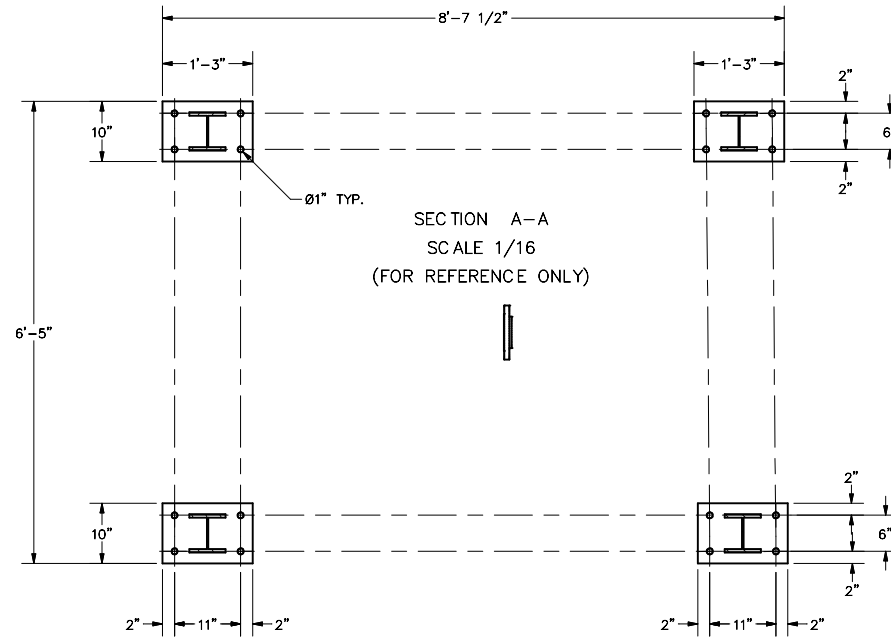


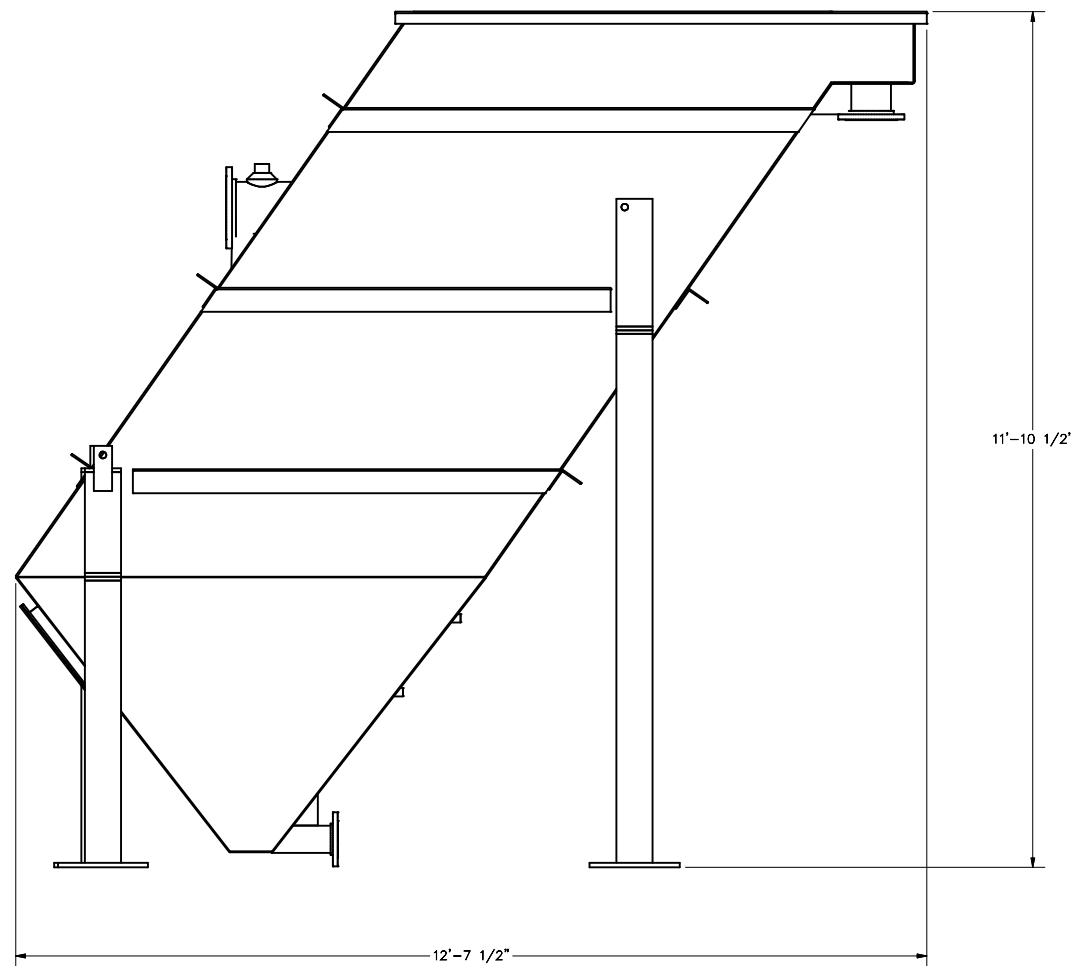
ASSEMBLY TOP VIEW
SCALE 1/16



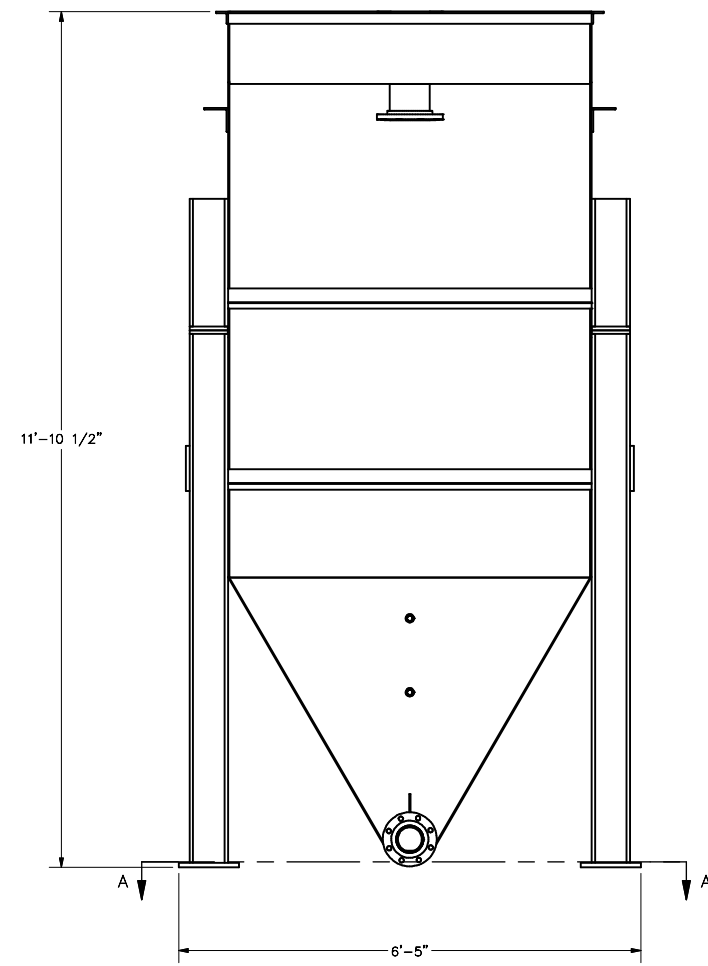
FOR REFERENCE ONLY

WEIGHT: #6,000 EMPTY – #21,900 FULL

GPM: 100 @ 600 mg/l



ASSEMBLY RIGHT VIEW
SCALE 1/16



ASSEMBLY BACK VIEW
SCALE 1/16

J M S
JMARK
SYSTEMS
www.jmarksystems.com 3696 Northridge Dr NW, Suite 10
Grand Rapids, MI 49544



TITLE: CLARIFIER MODEL JMS-500

DRAWN BY	DATE	DRAWING NAME:	REV
JTJ	8-26-22	JMS-500-WEB.idw	.