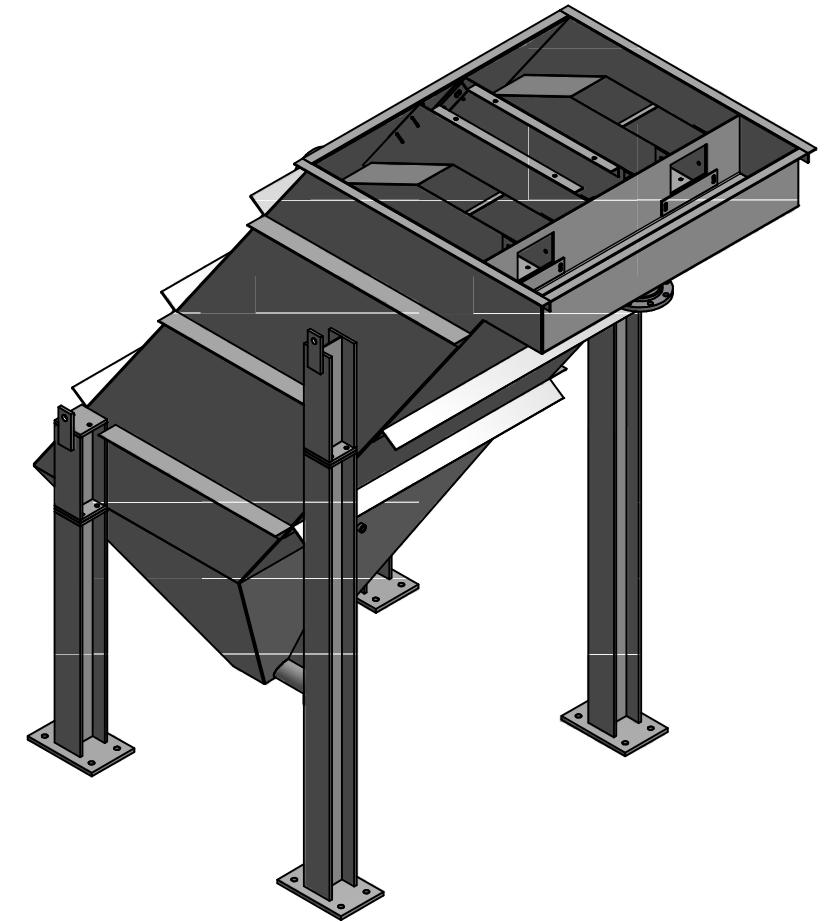
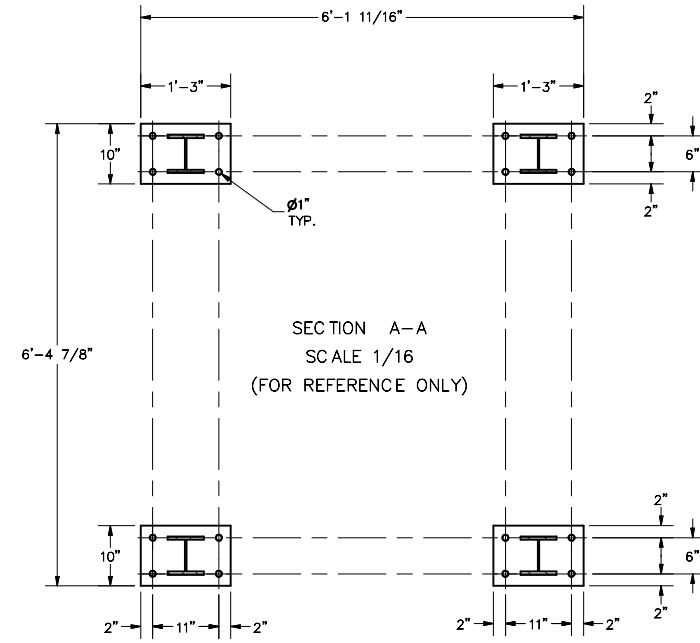


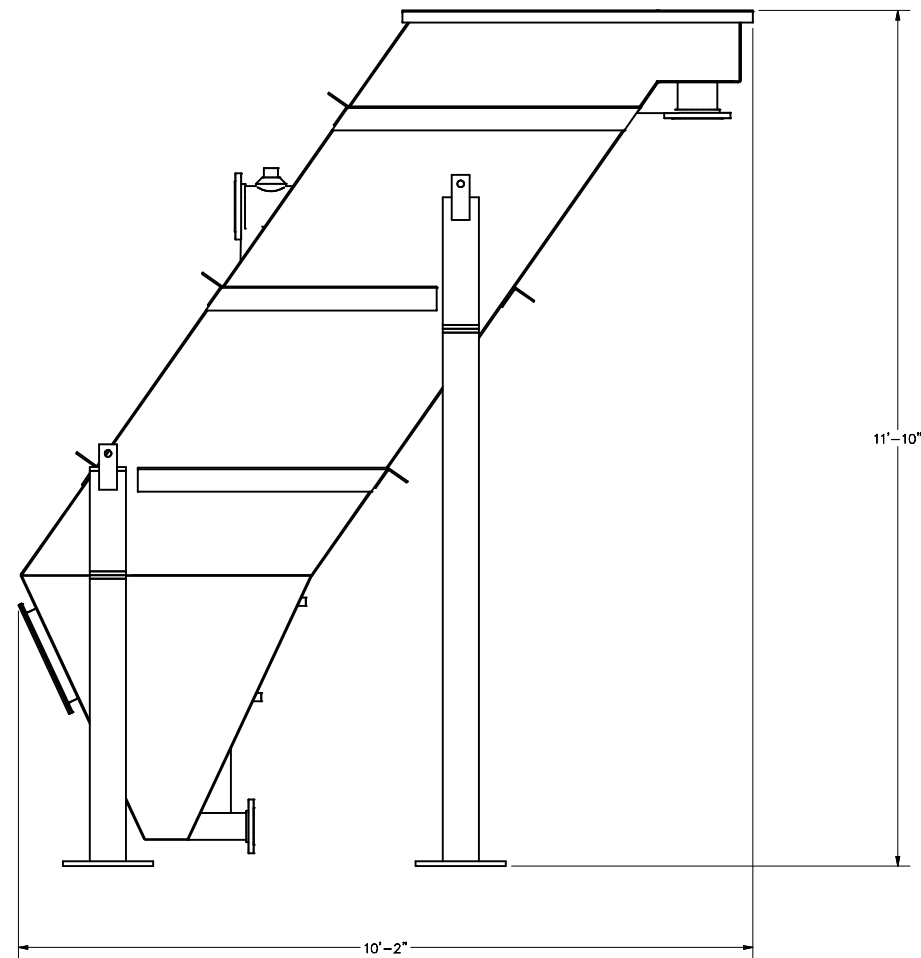
ASSEMBLY TOP VIEW  
SCALE 1/16



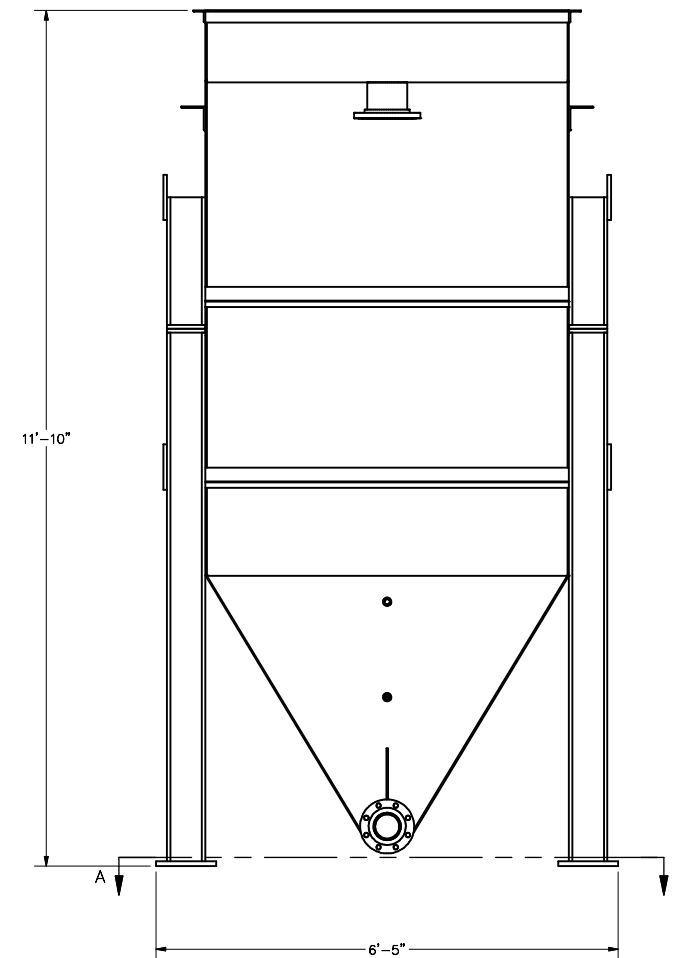
FOR REFERENCE ONLY

WEIGHT: #3,820 EMPTY - #10,100 FULL

GPM: 50 @ 600 mg/l



ASSEMBLY RIGHT VIEW  
SCALE 1/16



ASSEMBLY BACK VIEW  
SCALE 1/16

	3596 Northridge Dr NW, Suite 10 Grand Rapids, MI 49544	
	<a href="http://www.jmarksystems.com">www.jmarksystems.com</a>	
TITLE: CLARIFIER MODEL JMS-250		
DRAWN BY JTJ	DATE 8-26-22	DRAWING NAME: JMS-250-WEB.idw
		REV 